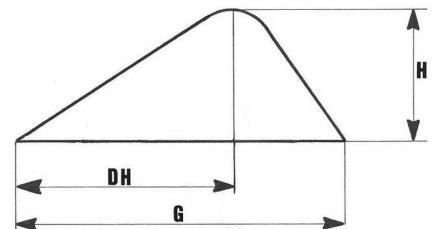
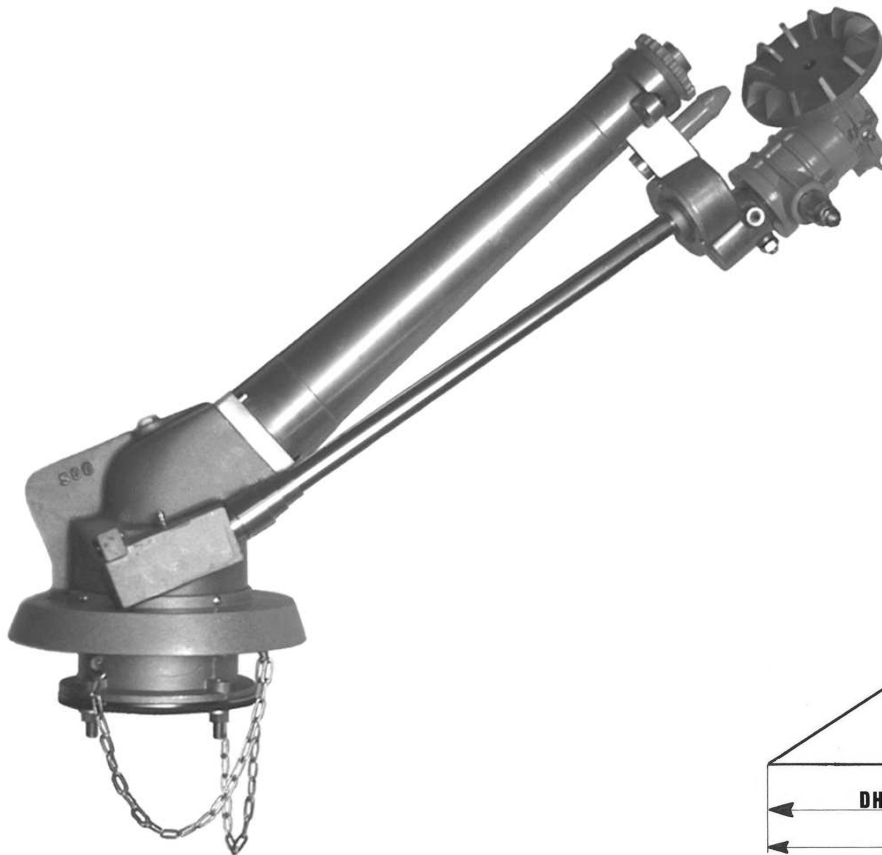


## S60 - 43° DUST SUPPRESSION

Attacco a flangia  
*Flange connection*



\* DH = Distanza tra irrigatore e apogeo  
*Distance from sprinkler to apogee*

Boccaglio Nozzle Ø mm	Pressione Pressure atm.	Portata Discharge l/min	Gittata G Length of jet G m	Apogeo H Apogee H m	Distanza DH* Distance DH* m
20	3,0 - 4,0 - 5,0	440 - 506 - 566	37 - 41 - 44	11 - 14 - 17	22 - 26 - 29
22	3,0 - 4,0 - 5,0	530 - 612 - 684	38 - 42 - 45	12 - 15 - 18	23 - 27 - 30
24	4,0 - 5,0 - 6,0	729 - 816 - 895	44 - 48 - 51	16.5 - 18 - 20	28 - 32 - 36
26	4,0 - 5,0 - 6,0	857 - 957 - 1050	46 - 50 - 52	16.5 - 18.5 - 20.5	30 - 33 - 36
28	4,0 - 5,0 - 6,0	994 - 1110 - 1220	48 - 51 - 54	17 - 19 - 21.5	31 - 34 - 37
30	5,0 - 6,0 - 7,0	1273 - 1394 - 1513	55 - 62 - 64	21 - 23 - 25	39 - 43 - 45

I dati tecnici sono orientativi e non impegnativi  
*The technical characteristics are indicative and not binding*

Disponibile anche con attacco 2" BSP / *Also available with 2" BSP connection*