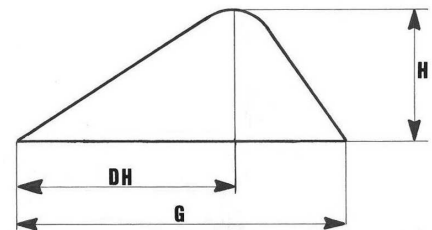
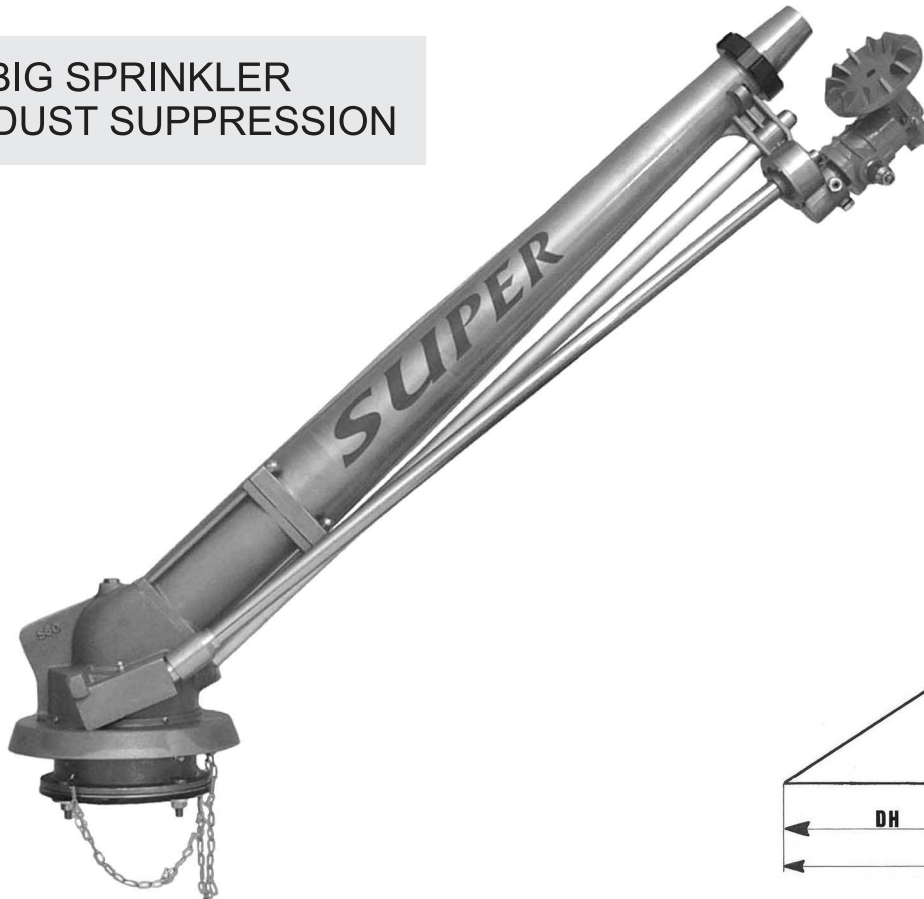


S80 SUPER - 43° DUST SUPPRESSION

Attacco a flangia
Flange connection

THE BIG SPRINKLER
FOR DUST SUPPRESSION



* DH = Distanza tra irrigatore e apogeo
Distance from sprinkler to apogee

Boccaglio Nozzle Ø mm	Pressione Pressure atm.	Portata Discharge l/min	Gittata G Length of jet G m	Apogeo H Apogee H m	Distanza DH* Distance DH* m
26	4,0 - 5,0 - 6,0	860 - 957 - 1060	47 - 52 - 54	17 - 19,5 - 21	31 - 36 - 38
28	4,0 - 5,0 - 6,0	997 - 1110 - 1225	49 - 55 - 58	18 - 22 - 25	32 - 39 - 41
30	5,0 - 6,0 - 7,0	1273 - 1394 - 1520	56 - 59 - 61	21 - 24 - 26	39 - 41 - 43
32	5,0 - 6,0 - 7,0	1475 - 1587 - 1735	61 - 63 - 67	22 - 25 - 27	40 - 42 - 44
34	5,0 - 6,0 - 7,0	1645 - 1792 - 1935	62 - 64 - 69	23 - 25,5 - 28	41 - 43 - 46
36	6,0 - 7,0 - 8,0	2008 - 2169 - 2316	68 - 71 - 74	25 - 29,5 - 33	46 - 48 - 51
38	7,0 - 8,0 - 9,0	2418 - 2585 - 2742	73 - 77 - 80	31 - 34 - 36	51 - 54 - 56

I dati tecnici sono orientativi e non impegnativi
The technical characteristics are indicative and not binding